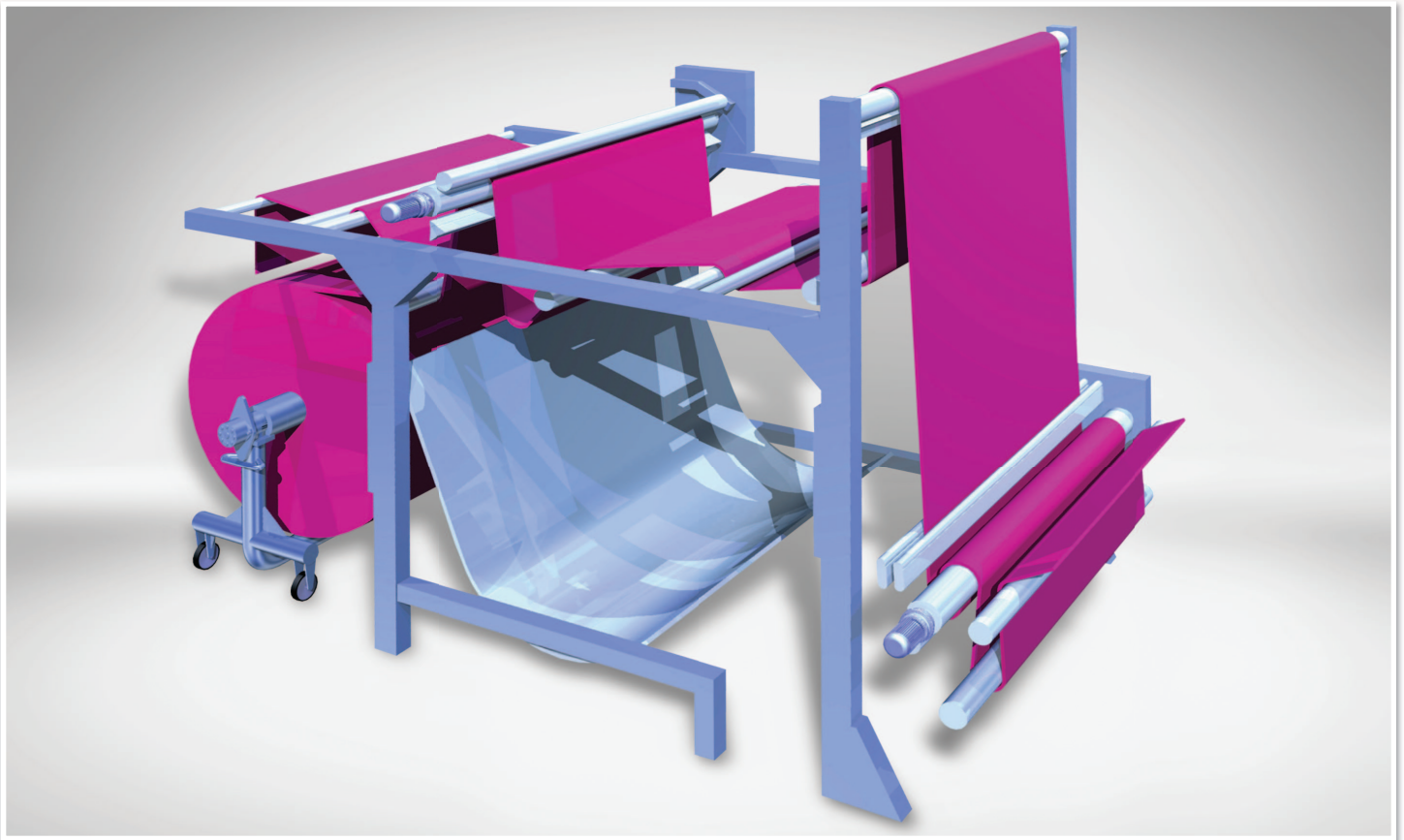


FABRIC FEEDING-IN



ENTRY FRAMES

Application for different fabric qualities, dry and wet fabrics

Discharge from staple or / and A-frame

The basic version may be combined with different fabric guiding systems such as

- › Expanding devices
- › Fabric web centering controls
- › Cooling rollers

CLOTH SCRAY

Pulling device with jockey roller

Automatic fabric tension control

Automatic changes from tightstrand to plaiting mode

Adjustable stainless steel J-box with synthetic sliding profiles

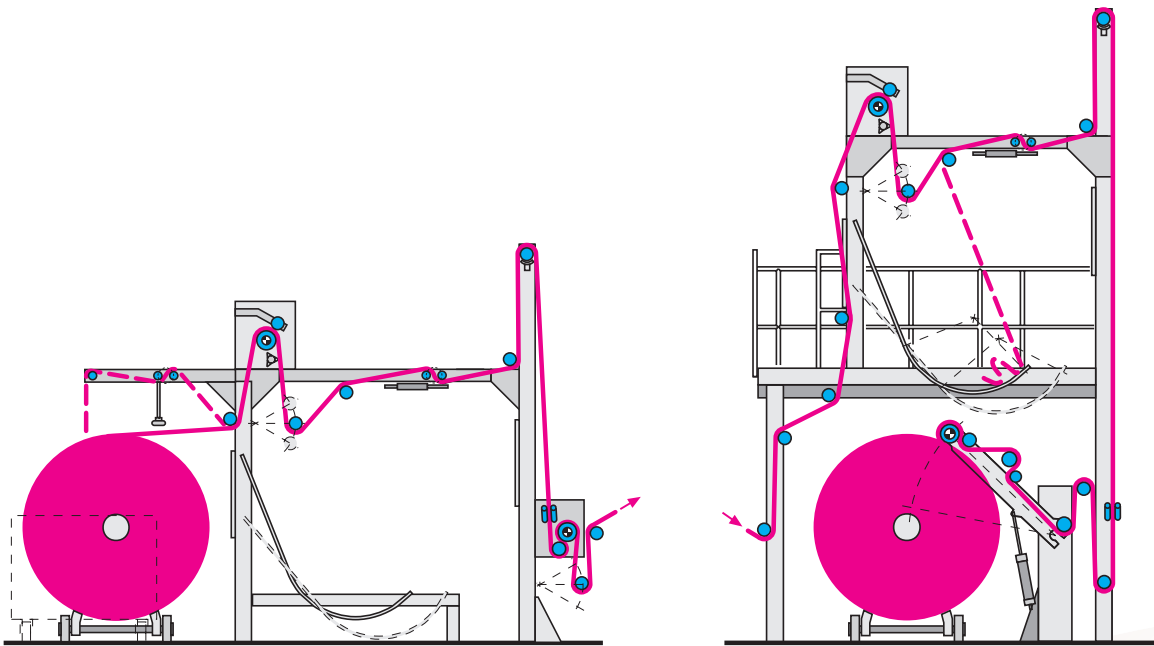
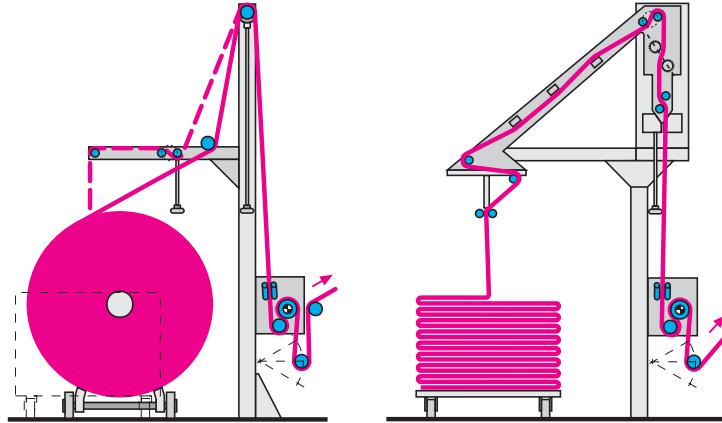


TEXTILE · NON-WOVEN

a division of KUSTERS ZIMA

TECHNICAL SPECS

Working Width	900-3400 mm
Standard production speed	max. 150 m/min



For more information call **864.576.0660** or visit **KustersZima.com/textile-non-woven**



TEXTILE ■ NON-WOVEN
a division of KUSTERS ZIMA